

MODEL BALANCE | MODEL BALANCE (RLU)

Chimney stove for solid fuels (split logs).

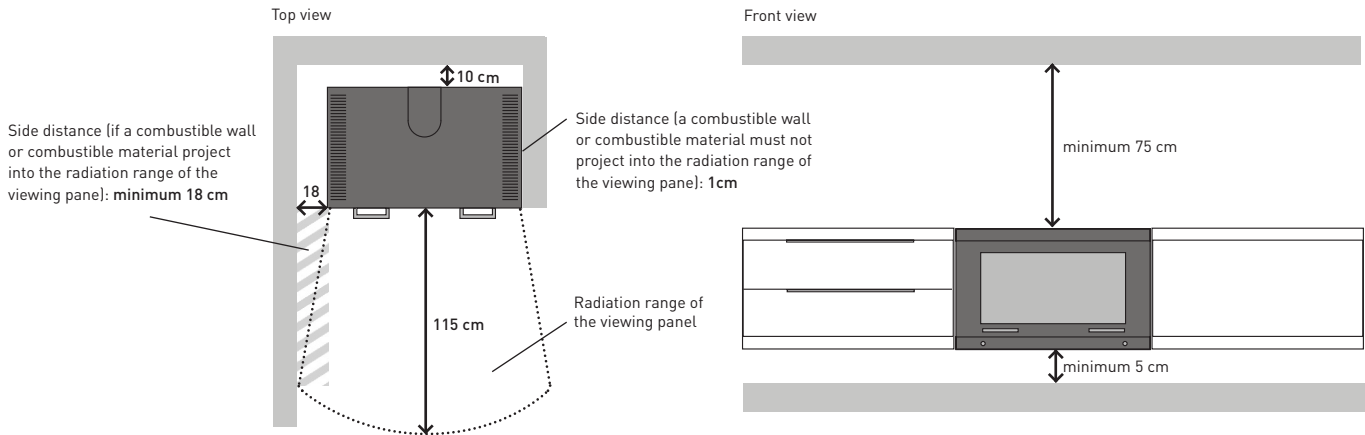
Shared chimney flues admissible. This stove is not a low burning stove.

European Standard EN 13240 | Test Report N°: RRF - 40 12 3148 | Test Centre ID: 1625

DIBt-certification: Z-43.12-340

Technical data

Safety distances to COMBUSTIBLE walls / materials in cm.



The following values were determined under test conditions:

CO emission in %:	0,10
Average feed pressure in Pa:	12
Nominal thermal output in kW:	7,0
Energy efficiency in %:	78,6
Dust mg/Nm ³ (13 % O ₂):	25,5
Operation with closed fire box (construction type 1):	yes
Waste gas mass flow rate in g/s:	6,3
Average OGC content in mg/Nm ³ :	37
Average CO content in mg/Nm ³ :	1250
Waste gas connection piece temperature in °C:	387
Exhaust gas temperature (ta-tr) in °C:	289

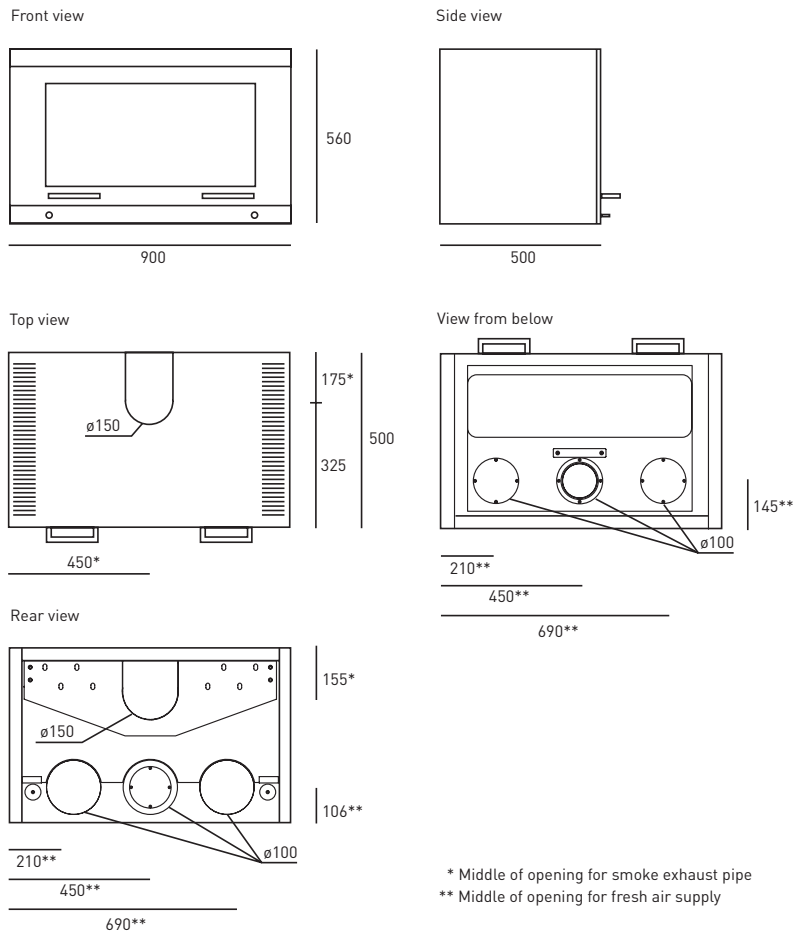
Weight:

Fire chamber (steel, W 90 cm):	200 (+ max. load capacity 50 kg)
Storage element (wood, W 60/90/120 cm):	57 / 70 / 84 kg (+ max. load capacity 200 kg)
Drawer element (wood, W 60/90/120 cm):	64 / 80 / 97 kg (+ max. load capacity 50 kg)
Bench element (wood, W 60/90/120 cm):	50 / 60 / 75 kg (+ max. load capacity 200 kg)
Shelf element (wood, W 60/90/120 cm):	60 / 72 / 84 kg (+ max. load capacity 50 kg)
TV console (wood, W 60/90/120 cm):	50 / 60 / 70 kg (+ max. load capacity 50 kg)
Storage element (steel, W 60/90/120 cm):	60 / 75 / 90 kg (+ max. load capacity 200 kg)
Bench element (steel, W 60/90/120 cm):	55 / 65 / 75 kg (+ max. load capacity 200 kg)

Dimensions:

Stove dimensions in mm (height / width / depth):	560 / 900 / 500
Fire box dimensions in mm (height / width / depth):	340 / 650 / 350
Fire box opening dimensions in cm ² :	1670
Dimensions of ground of fire box in cm ² :	2178
Pipe diameter (waste smoke) in mm:	150
Flue connection piece, top and rear (t / r):	o / h
Fresh air connection piece diameter in mm:	100
Combustion air connection, rear and bottom (r / b):	h / u

Dimensions of fire chamber and connections:



* Middle of opening for smoke exhaust pipe
 ** Middle of opening for fresh air supply



_Installation: It is imperative that the chimney stove be installed in strict conformity with any prevailing national and European standards as well as any applicable local regulations. Please contact your local chimney sweep prior to installing your chimney stove.

_This skantherm fireplace model is suitable for integration into an alcove/cladding provided the safety distances indicated are observed.

_Installation of chimney stove: Make sure that the floor's carrying capacity is sufficiently high. In case of inadequate carrying capacity, suitable adjusting measures (e.g. plate for load distribution) are to be taken.

_Cleaning: Make sure to clean your chimney stove at regular intervals. Also make sure to clean the connection pieces and flues at least once a year and to apply a heat resistant copper paste on all moving parts such as hinges at least once a year, too. Use a damp cloth and clear water to clean window glasses. Contact your local chimney sweeper for professional cleaning of your chimney at regular intervals.

_Ventilation of room and chimney stove: Please ensure sufficient ventilation of the room. Never close air supply openings or convection shafts of the stove.

_The fire chamber door of a stove operating independently of ambient air always has to be kept closed as otherwise, the operation independent of ambient air cannot be guaranteed!

_Combustion air: In order to ensure a proper operation, sufficient air flow for the combustion has to be guaranteed. This chimney stove is constructed to operate independently of ambient air and can either be connected directly outwards with a combustion air conduit (type: FC41x) or to the air channel of an air exhaust chimney- LAS- (type: FC51x). The pressure loss of the combustion air conduit may not be higher than 3 Pa. When using a flexible aluminium tube, please ensure that the pipe is protected against mechanical damages. The combustion air should be lockable outwards with an air damper and the position of the air damper should be visible in the installation room. Combustion air conduit as well as the connection piece need to be airtight.

_The fireplace is not allowed for waste incineration!

For detailed information please consult our General Installation & Operation Manual!