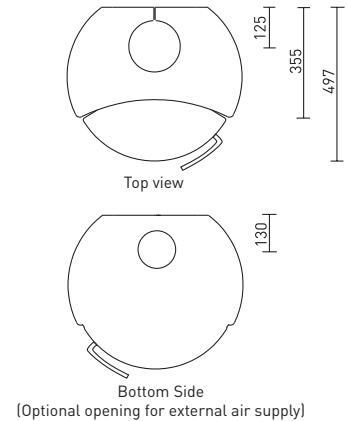
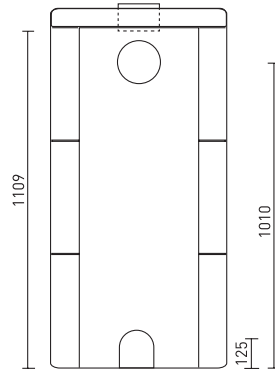
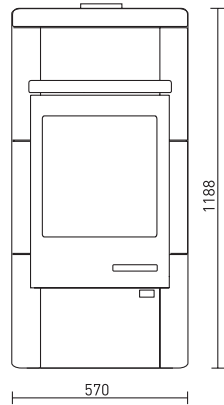


MODEL BEO 6KW / MODEL BEO 6KW (RLU)

Chimney stove for solid fuels (split logs)

Shared chimney flues admissible (only in room air dependent operation). This stove is not a low burning stove!

European Standard EN 13240 | Test Report N°RRF - 40 08 1721 | Test Centre ID: 1625 | DIBt-certification (institute for building technology): Z-43.11-312



Technical data

Min. distance from inflammable component parts:

Sides:	10 cm
Rear:	10 cm
Front (within the radiation area of the front glass):.....	80 cm

The following values were determined under test conditions:

CO emission in %:.....	0,10
Average feed pressure in Pa:.....	12
Nominal thermal output in kW:.....	6
Room heat output in kW:.....	3,0 - 6,1
Energy efficiency in %:.....	81,4
Dust mg/Nm ³ (13 % O ₂):	< 40
Operation with closed fire box (construction type 1):.....	Ja
Waste gas mass flow rate in g/s:.....	4,2
Average OC content in mg/Nm ³ :	1250
Average OGC content in mg/Nm ³ :.....	73
Waste gas connection piece temperature in °C:.....	360
Waste gas temperature (ta-tr) in °C:.....	314

Weight and dimensions:

Weight of fireplace in kg, (steel / stone):.....	159 (242) / 260
Stove dimensions in mm (height / width / depth):	1188 / 570 / 497
Fire box dimensions in mm (height / width / depth):.....	410 / 360 / 400
Fire box opening dimensions in cm ² :	1040
Pipe diameter (waste smoke) in mm:	150
Flue connection piece, top and rear (t / r):	t / r
Fresh air connection piece diameter in mm:.....	100
Combustion air connection, rear and bottom (r / b):	r / b



_Installation:

It is imperative that the chimney stove be installed in strict conformity with any prevailing national and European standards as well as any applicable local regulations. Please contact your local chimney sweep prior to installing your chimney stove.

_This skantherm fireplace model is suitable for integration into an alcove/cladding provided the safety distances indicated are observed.

_Installation of chimney stove:

Make sure that the floor's carrying capacity is sufficiently high. In case of inadequate carrying capacity, suitable adjusting measures (e.g. plate for load distribution) are to be taken.

_Cleaning:

Make sure to clean your chimney stove at regular intervals. This also applies to emptying the ash box and cleaning the shaking grate. Also make sure to clean the connection pieces and flues at least once a year and to apply a heat resistant copper paste on all moving parts such as hinges at least once a year, too. Use a damp cloth and clear water to clean window glasses. Contact your local chimney sweeper for professional cleaning of your chimney at regular intervals.

_Ventilation of room and chimney stove:

Please ensure sufficient ventilation of the room. Never close air supply openings or convection shafts of the stove.

_The fire chamber door of a stove operating independently of ambient air always has to be kept closed as otherwise, the operation independent of ambient air cannot be guaranteed!

Combustion air: In order to ensure a proper operation, sufficient air flow for the combustion has to be guaranteed. This chimney stove is constructed to operate independently of ambient air and can either be connected directly outwards with a combustion air conduit (type: FC{41x}) or to the air channel of an air exhaust chimney- LAS- (type: FC_{51x}). The pressure loss of the combustion air conduit may not be higher than 3 Pa. When using a flexible aluminium tube, please ensure that the pipe is protected against mechanical damages. The combustion air should be lockable outwards with an air damper and the position of the air damper should be visible in the installation room. Combustion air conduit as well as the connection piece need to be airtight.

_The fireplace is not allowed for waste incineration!

For more detailed information please refer to the general assembly and operation instructions.