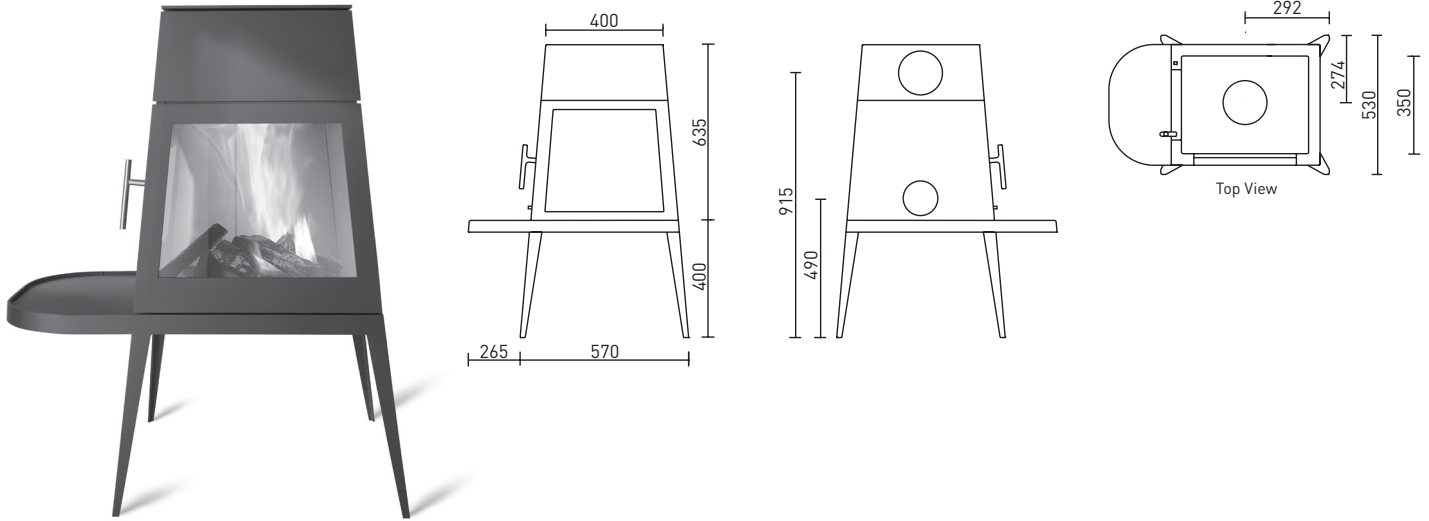


MODEL SHAKER

Chimney stove for solid fuels (split logs).

Shared chimney flues admissible. This stove is not a low burning stove.

European Standard EN 13240 | Test Report N°: RRF - 40 08 1772 | Test Centre ID: 1625



technical data

Min. distance from inflammable component parts:

Sides:	30 cm
Rear:	20 cm
Front (within the radiation area of the front glass, rotatable 120°):.....	80 cm

The following values were determined under test conditions:

CO emission in %:.....	0,10
Average feed pressure in Pa:.....	12
Nominal thermal output in kW:.....	7
Room heat output in kW:.....	3,1 - 7,1
Energy efficiency in %:.....	78,8
Dust mg/Nm ³ (13 % O ₂):	< 40
Operation with closed fire box (construction type 1):.....	yes
Waste gas mass flow rate in g/s:	9,3
Average OGC content in mg/Nm ³ :.....	68
Average CO content in mg/Nm ³ :.....	1250
Waste gas connection piece temperature in °C:.....	290
Waste gas temperature (ta-tr) in °C:	256

Weight and dimensions:

Weight of fireplace in kg, (Steel* without bench):	112*
Stove dimensions in mm (height / width / depth):	1035 / 835 / 530
Fire box dimensions in mm (height / width / depth):.....	348 / 395 / 305
Fire box opening dimensions in cm ² :	1375
Pipe diameter (waste smoke) in mm:	150
Flue connection piece, top and rear (t / r):	t / r
Fresh air connection piece diameter in mm:.....	100
Combustion air connection, rear and bottom (r / b):	r / -



_Installation: It is imperative that the chimney stove be installed in strict conformity with any prevailing national and European standards as well as any applicable local regulations. Please contact your local chimney sweep prior to installing your chimney stove.

_This skantherm fireplace model is suitable for integration into an alcove/cladding provided the safety distances indicated are observed.

_Installation of chimney stove: Make sure that the floor's carrying capacity is sufficiently high. In case of inadequate carrying capacity, suitable adjusting measures (e.g. plate for load distribution) are to be taken.

_Cleaning: Make sure to clean your chimney stove at regular intervals. Also make sure to clean the connection pieces and flues at least once a year and to apply a heat resistant lubricant on all moving parts such as hinges at least once a year, too. Use a damp cloth and clear water to clean window glasses. Contact your local chimney sweeper for professional cleaning of your chimney at regular intervals.

_Ventilation of room and chimney stove: Please ensure sufficient ventilation of the room. Never close air supply openings or convection shafts of the stove.

_The fireplace is not allowed for waste incineration!

For detailed information please consult our General Installation & Operation Manual!