

MODEL ELEMENTS 400 FRONTKAMINOFEN

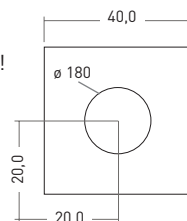
Chimney stove for solid fuels (split logs)

Shared chimney flues admissible. This stove is not a low burning stove!

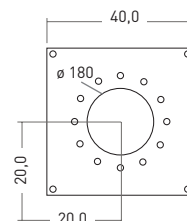
European Standard EN 13240 | Test Report N°: DBI F 15/09/0343

certification from DIBt: Z-43.12-414

Test Centre ID: 1721



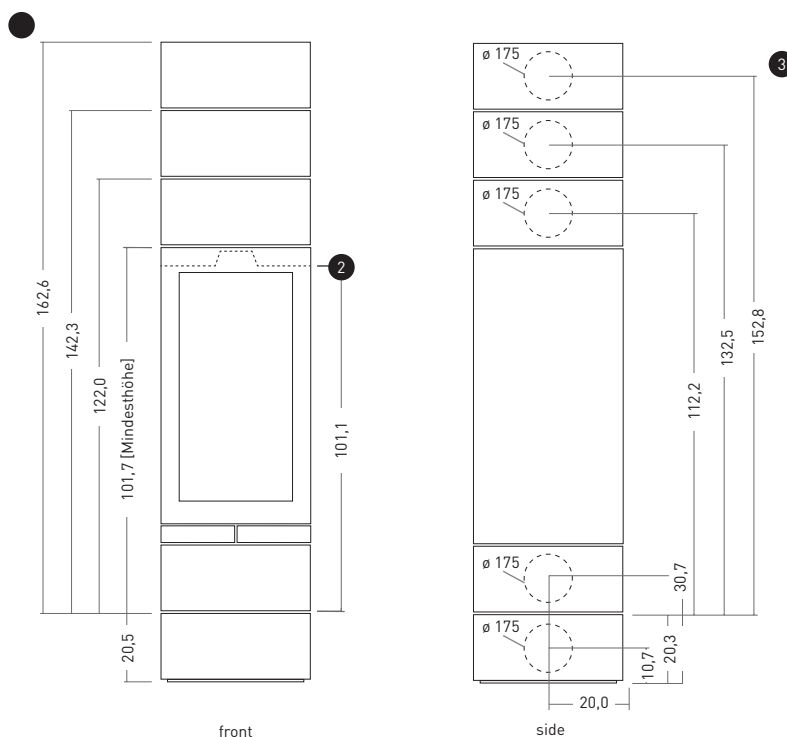
Smoke discharge (top)



Fresh air supply (bottom)



Dimensions in cm



front

side

- 1 Height of different combinations of »elements«
- 2 Flush mounting depth with stationary firing chamber
- 3 Standard dimensions height smoke discharge and external fresh air supply

technical data

The following values were determined under test conditions:

CO emission in %:	0,077
Average feed pressure in Pa:	12
Nominal thermal output in kW:	5,0
Room heat output in kW:	5,0
Energy efficiency in %:	84
Dust mg/Nm ³ (13 % O ₂):	< 40
Operation with closed fire box (construction type 1):	yes
Waste gas mass flow rate in g/s:	4,09
Average OGC content in mg/Nm ³ :	44,8
Average CO content in mg/Nm ³ :	959,9
Waste gas connection piece temperature in °C:	337
Waste gas temperature (ta-tr) in °C:	237

Weight and dimensions:

Weight of the fire place in kg (steel, firing chamber/small/ big box):	160 / 18 / 24
Stove dimensions in mm (height / width / depth):	1017 / 400 / 400
Fire box dimensions in mm (height / width / depth):	450 / 285 / 265
Fire box opening dimensions in cm ² :	730
Pipe diameter (waste smoke) in mm:	150
Connectivity flue tube top and back or laterally (t / b* / l*):	t / b* / l*
Fresh air connection piece diameter in mm:	100
Connectivity combustion air rear, side and bottom (r / s** / b):	r / s** / b

*Smoke discharge, bottom or laterally from a box above the firing chamber possible (technical and/or base box)

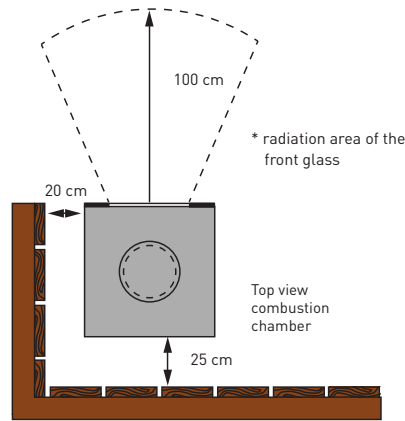
**Connection for combustion air laterally possible up from two boxes below the combustion chamber (base-box)

Safety distances

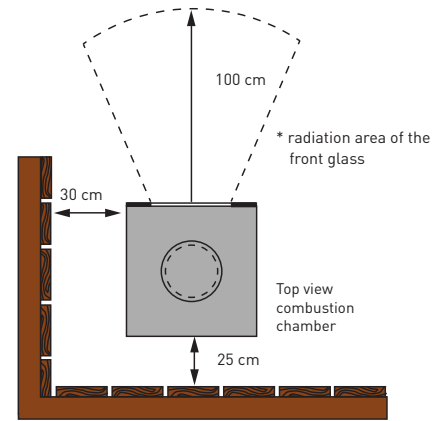
Safety distances to INFLAMMABLE walls / materials

For »elements« without lateral extension element, the following safety distance to **combustible** elements and walls should be observed.

Lateral¹:.....mind. 20 cm
 Lateral²:.....mind. 30 cm
 Bottom:.....mind. 25 cm
 Front*:.....mind. 100 cm

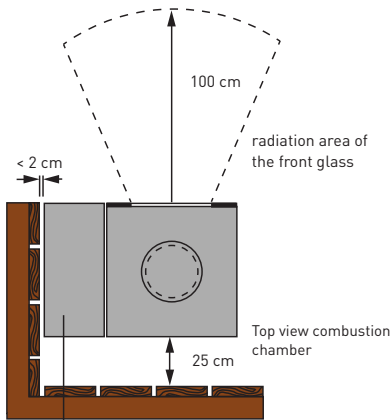


¹: Lateral wall without influence of heat radiation from the glass

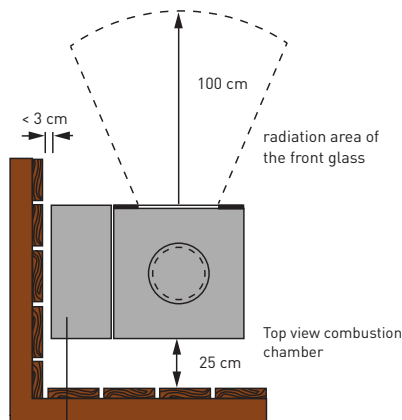


²: Lateral wall with influence of heat radiation from the glass

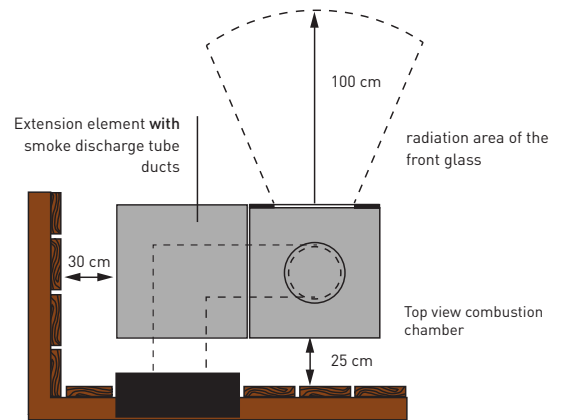
Further safety distances to INFLAMMABLE walls / materials when extension elements are used



Extension element **without** smoke discharge tube



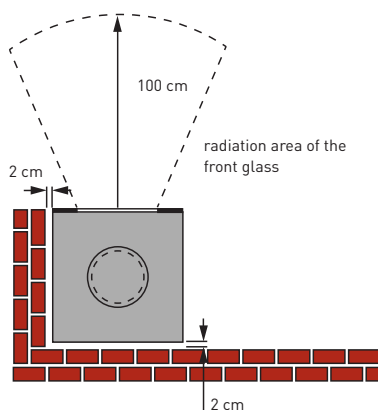
Extension element **without** smoke discharge tube



Extension elements, **through which smoke discharge tubes are fed** can be installed at a distance of at least 30 cm to **combustible elements** or walls (please observe the DIN of the smoke discharge tubes).

The external side of extension elements, **where smoke discharge tubes cannot be guided through**, can be installed at only some millimetres to **inflammable elements** or walls, since it is heated only slightly during operation.

Safety distances to NON COMBUSTIBLE walls / materials



Top view combustion chamber

For »elements« with or without lateral extension elements, the above mentioned safety distance to **non combustible elements** and walls (such as concrete, stone, plaster) should be observed.



Please observe that the stated distances to combustible materials are fire protection information that does **not** take possible material changes caused by heat such as discoloration or stress fractures into consideration.



Important installation instructions

skantherm®

Installation:

It is imperative that the chimney stove be installed in strict conformity with any prevailing national and European standards as well as any applicable local regulations. Please contact your local chimney sweep prior to installing your chimney stove.

This skantherm fireplace model is suitable for integration into an alcove/cladding provided the safety distances indicated are observed.

Installation of chimney stove:

Make sure that the floor's carrying capacity is sufficiently high. In case of inadequate carrying capacity, suitable adjusting measures (e.g. plate for load distribution) are to be taken.

Cleaning:

Make sure to clean your chimney stove at regular intervals. This also applies to emptying the ash box and cleaning the shaking grate. Also make sure to clean the connection pieces and flues at least once a year and to apply a heat resistant copper paste on all moving parts such as hinges at least once a year, too. Use a damp cloth and clear water to clean window glasses. Contact your local chimney sweeper for professional cleaning of your chimney at regular intervals.

Ventilation of room and chimney stove:

Please ensure sufficient ventilation of the room. Never close air supply openings or convection shafts of the stove.

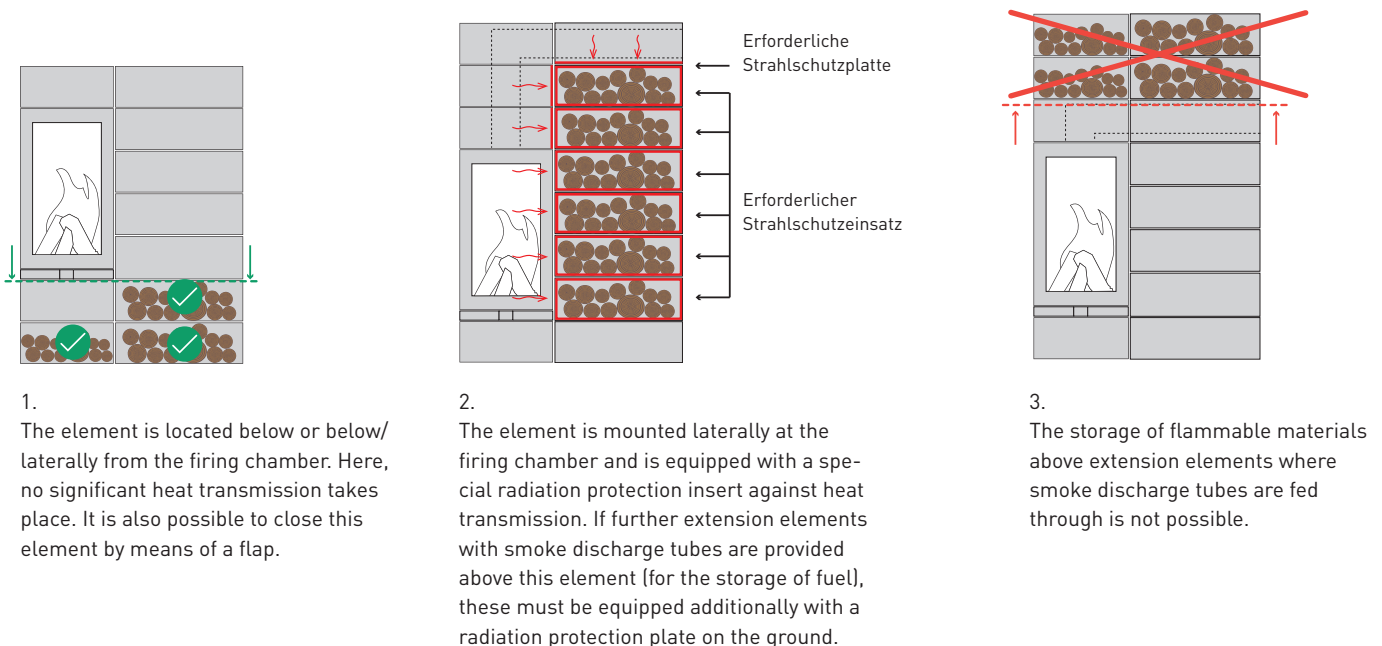
The fire chamber door of a stove operating independently of ambient air always has to be kept closed as otherwise, the operation independent of ambient air cannot be guaranteed!

Combustion air: In order to ensure a proper operation, sufficient air flow for the combustion has to be guaranteed. This chimney stove is constructed to operate independently of ambient air and can either be connected directly outwards with a combustion air conduit (type: FC41x) or to the air channel of an air exhaust chimney- LAS- (type: FC51x). The pressure loss of the combustion air conduit may not be higher than 3 Pa. When using a flexible aluminium tube, please ensure that the pipe is protected against mechanical damages. The combustion air should be lockable outwards with an air damper and the position of the air damper should be visible in the installation room. Combustion air conduit as well as the connection piece need to be airtight.

The fireplace is not allowed for waste incineration!

Note concerning the STORAGE OF INFLAMMABLE MATERIALS (e.g. firewood) in attached ELEMENTS:

The following prerequisites must be fulfilled if you want to store highly flammable materials such as firewood which are sufficiently ventilated to the front/to the side:



Elements above the firing chamber may only be used for storage stones.

The storage of objects and in particular of flammable materials is not possible.

For more detailed information please refer to the general assembly and operation instructions.



Instructions regarding the installation of radiation protection inserts and plates

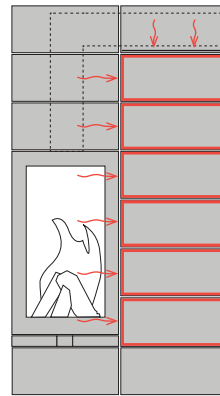
For fire protection requirements, each element that can be used as a heating box or storage space (e.g. for the storage of flammable materials such as firewood) and which are directly located at the side of the firing chamber or adjacent to an element with a flue tube require the use of an additional radiation protection insert that is inserted into the element. No radiation protection insert is required below the firing chamber.

Radiation protection insert, 38,0 x 39,0 x 17,7 cm, art. # 8070121
Radiation protection insert, 58,3 x 39,0 x 17,7 cm, art. # 8070122

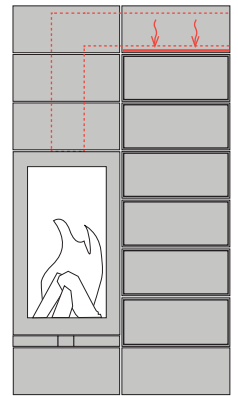
Should an element with a flue tube be provided above the heating box or a storage place with a flue tube, a radiation protection plate must additionally be inserted into the below element against heat transmission.

Radiation protection plate, 39,0 x 39,0 x 2,0 cm, art. # 8070224
Radiation protection plate, 59,0 x 39,0 x 2,0 cm, art. # 8070225

Optical boxes with radiation protection insert

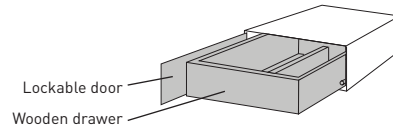


Technical box with radiation protection plate inserted

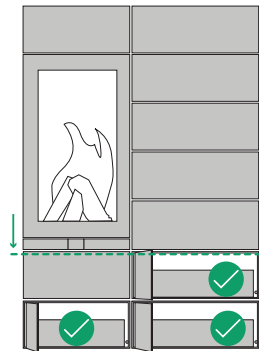


Instructions regarding the lockable door

Due to a possible heat accumulation, the basic boxes with lockable doors must be installed below or below/laterally from the firing chamber!



Correct installation:



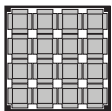
Incorrect installation:



Instructions regarding skantherm thermostones

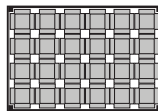
The thermostones can be integrated into an element box of a width of 40,0 cm and 60,3 cm. The weight of a thermostone is approx. 5 kg. Please observe that the total weight of all thermostones in elements lying one above the other must not exceed 230 kg.

Declaration of weight regarding the element boxes with integrated thermostones:



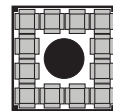
Top view

elements box,
40,0 cm wide,
16 thermostones
(approx. 80 kg)



elements box,
60,3 cm wide,
24 thermostones
(approx. 120 kg)

Examples of weight declarations for element boxes with integrated thermostones and flue tube:

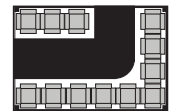


(Draufsicht)

12 thermostones,
approx 60 kg

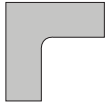


10 thermostones,
approx 50 kg



12 thermostones,
approx 60 kg

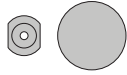
Accessories:



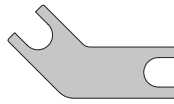
1 pc. wooden positioning bracket (MDF)



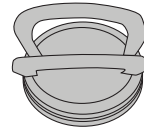
6 pcs. magnet per optical box



Optionally: 4 pcs. adjustment feet, including rubber disk, art. #: 80702111

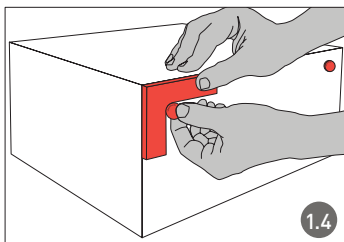
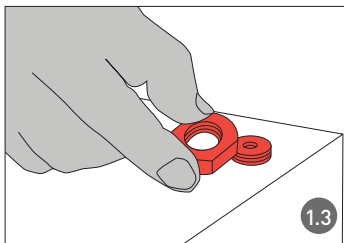
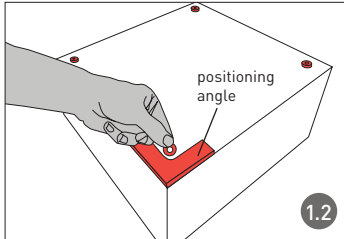
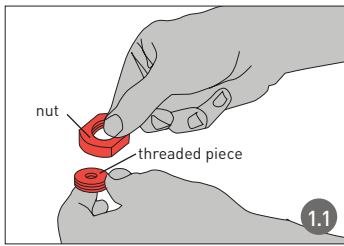


1 pc. adjustment feet key



1 pc. vacuum lifting tool

skantherm®



Installation of the extension elements

1 Installation of the 1st extension elements

1.1 Mounting of the adjustment feet by gluing. An adjustment foot consists of an internal threaded piece and the pertaining nut. The threaded piece is additionally provided with an adhesive layer on one side. Remove the nut from the threaded piece and put it aside.

1.2 Place the positioning bracket onto the extension element and align it in accordance with the external edges of the extension element. Remove the paper protection from the adhesive layer. Now, you can position the threaded piece with the adhesive layer carefully into the rounded inner side of the bracket. Press the threaded piece firmly in order to make sure it will stick to the bracket. For the three other adjustment feet of the extension elements, proceed the same way as described above.

1.3 Now, screw the nuts on the mounted threaded plates and turn the extension feet upright on its adjustment feet.

1.4 Now, using the positioning bracket - position two magnets on the lateral surfaces of the external element that you intend to add to the already existing stove combination. For this purpose, align the positioning bracket at the external edges and position the magnet into the rounded inner side of the bracket. Erect the extension element at a distance of approx. 1.5 to 2 cm to the final position. Push one of the rubber disks under each adjusting leg in order to prevent the extension element from slipping.

Now, push the extension element carefully towards the fireplace. The magnets now cling audibly to the combustion chamber. Using the adjustment feet key, you can now align the extension element with regard to its height.

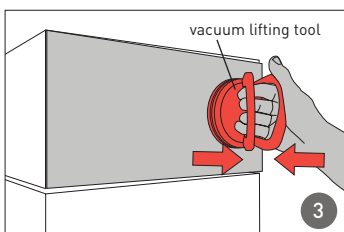
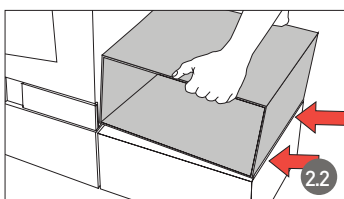
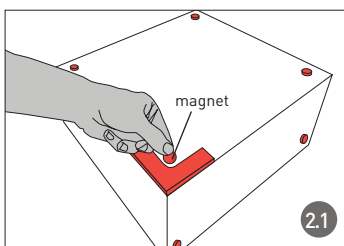


Warning:

The magnet position determined by the positioning bracket must be observed by all means. Non-observance could lead to an unintended heat transmission to the extension elements.

Pace maker

Magnets may have an impact on the function of pace makers and implanted defibrillators. As a person concerned you should keep a sufficient distance to such magnets. Please warn other people wearing such devices before they approach the magnets.



2 Installation of one further extension element

2.1 Position the positioning bracket onto the extension element again and carefully position four magnets as described under step **1.4**.

Now, determine the lateral surface that is to be placed adjacent to the firing chamber or another extension element. Place the magnets in two corners each using the positioning bracket. Make sure the surface is nonmagnetic. Rotate the extension element onto the four magnets.

2.2 Now, lift the extension element into that position where it is to be mounted. Align one of the outer edges of the extension element in such a way that it is flush with the outer edge of the extension element below and tilt the extension element slowly onto the magnets. It is very important to work with precision since the subsequent alignment is possible only to a small extent.

3 Removal of the lid

A lid can be removed using the vacuum lifting tool supplied.

Place the vacuum lifting tool carefully near the external edge of the lid tool.

Press both brackets together. The lid can now be pulled out of the box. **Please loosen the vacuum lifting tool from the lid immediately in order to avoid damage to the paintwork.**

The use of a vacuum lifting tool is not needed for the insertion of a lid. The sheet is simply pushed into the open side of the extension element.